

Protection Unit, Model UM15-120



Symbol of Quality and Performance

Distribution

HETRAN Inc.

70 Pinedale Industrial Road
Orwigsburg, Pennsylvania 17961
USA

Phone: +1 570 366 1411

Fax: +1 570 366 1829

E-Mail: hetran@infionline.net

HETRAN Engineering GmbH

Schelmilser Weg 8, D-33609
Bielefeld, Germany

Telephone: +49 (0) 521 33873

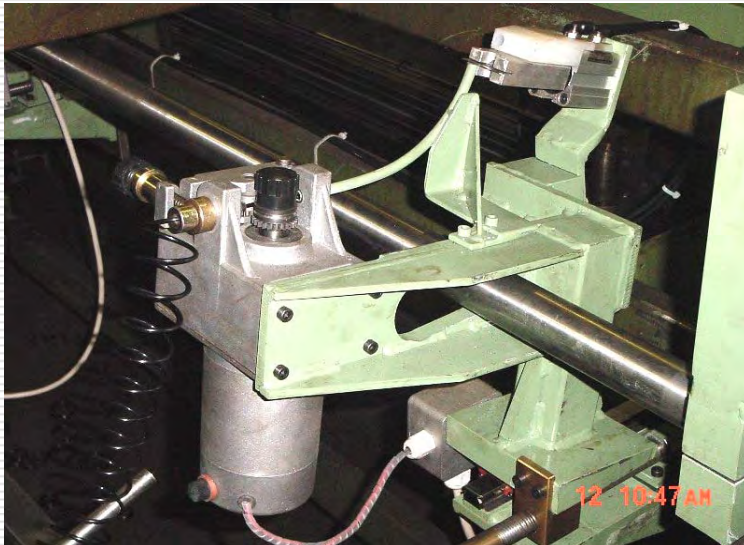
Fax: +49 (0) 521 33875

E-mail: hetran@aol.com

Protection Unit, Model UM15-120



Symbol of Quality and Performance



- Working range
15 mm up to 120 mm
- Thickness of nylon
wraps
2 mm up to 5,3 mm
- Power 380 Volt
- Control voltage
220 Volt
- Air pressure 5-6 bar

Protection Unit, Model UM15-120



Symbol of Quality and Performance

- The protection unit, suitable for lathes, drawing machines, grinding and peeling (turning) machines is a complete automatic and modular principle system, which is build in Italy and distributed by HETRAN Engineering GmbH.
The system is used to wrap nylon rings onto processed round material, to protect this material during further transportation procedures.

Protection Unit, Model UM15-120



Symbol of Quality and Performance

- The protection unit, model UM15-120 guarantees the same protection level against transportation damages for finished material as „conventional manual“ protection methods.
But the handling with these types of machines is more simplified, as they could be installed direct at the exit side of the appropriate round material processing machine.

Protection Unit, Model UM15-120



Symbol of Quality and Performance

- The protection unit guarantees in addition:
 - A reduction of production costs and production time as the round material has not to be transported via overhead crane, etc. from the processing machines to the loading system of a conventional protection machine.
 - A higher quality of the end product, as the round material is now covered to avoid material damage during the transportation from one processing machine to the other.
 - Spare parts are common purchase parts and are easy to get without long delivery times.

Protection Unit, Model UM15-120



Symbol of Quality and Performance

- The following working parameters are infinitely variable adjustable:
 - Adjustment of nylon ring wrapping time speed
 - Number of desired nylon rings
 - Bar diameter from 15 mm up to 120 mm are infinitely variable adjustable
 - Bar length is adjustable (e.g. 1m, 2 m, etc.)

Protection Unit, Model UM15-120



Symbol of Quality and Performance

Round material with
protection unit and
stopper device



- **Function**
- The output side for the spiral formed wrapped nylon rings are right below the round material. These spiral formed windings surround due to their form the bar till it is totally surrounded. The ring is cut via a knife. The over cover can be adjusted. The experience shows that the nylon ring sticks to the round material at approximately 370 degree.
- Each protection position should be handled by a single protection unit. The nylon ring wrapping is activated when the bar is released from the appropriate processing machine. As all installed protection units work simultaneously there is no down time in the production process.

Protection Unit, Model UM15-120



Symbol of Quality and Performance

Protection unit



■ Function

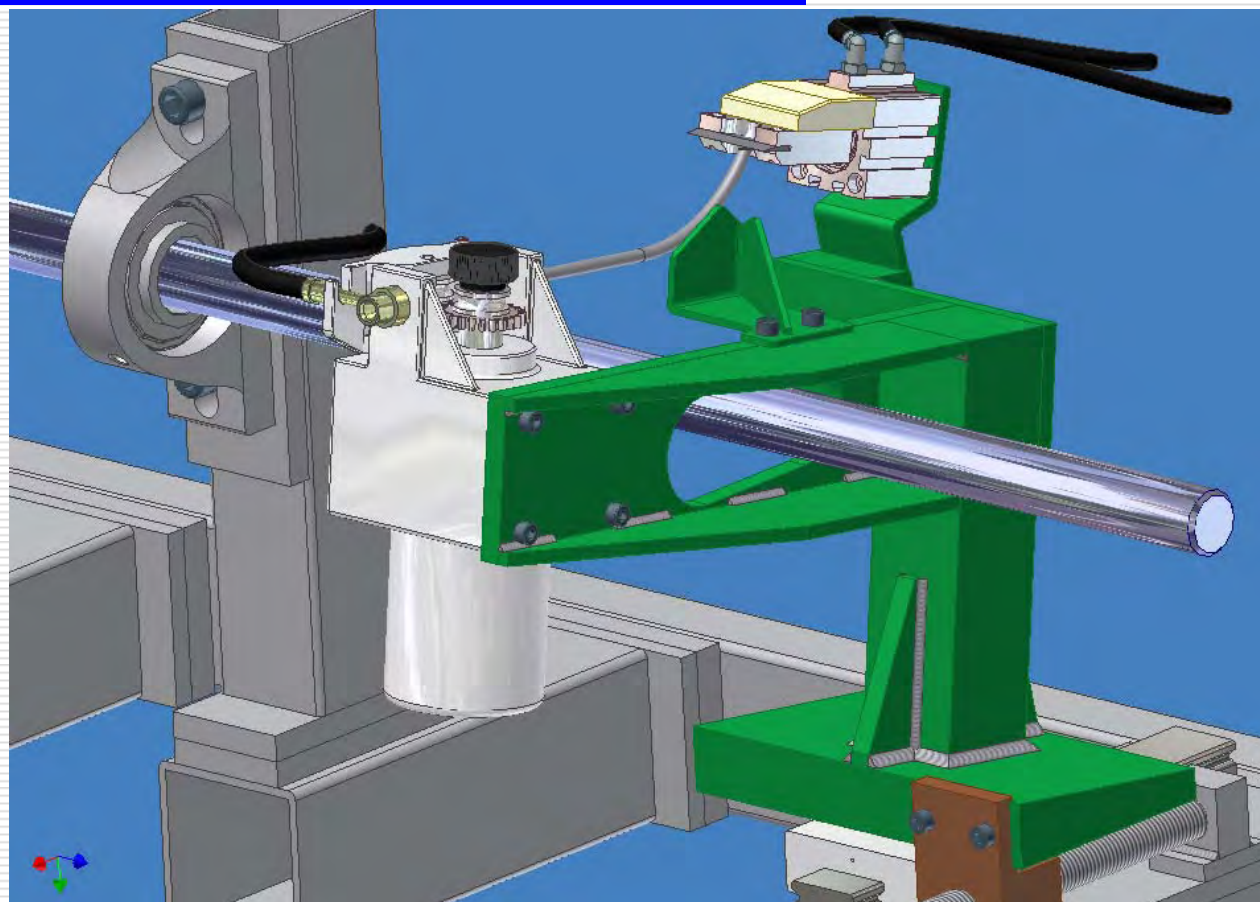
- The protection unit is mounted direct below the bar center after a linear exit table of a bar processing machine or at a bar stop side before a collection cradle. The nylon ring wrapping is activated from below, therefore the wrapped bars could roll cross side of the material flow onto a transfer or unloading table.
- Each protection unit has its own magazine for nylon rings. The begin of the spiral ring will be guided manually into the opening of a transportation device, the infeed is handled by an electric motor. The infeed length is adjustable according to the bar diameters. As soon as the bar material passes a proximity switch, the infeed motor will be activated and pushes a predetermined length of the nylon rings to the top.

Protection Unit, Model UM15-120



Graphic display

Symbol of Quality and Performance



Protection Unit, Model UM15-120



Symbol of Quality and Performance

Nylon rings

- The nylon rings are made out of PA6 material with different thickness and diameters. The nylon rings need a specific treatment to gain the right elasticity, so that they automatically wrap around the round material. The PA6 material does not damage the metal surface of the processed material.
- The nylon rings are manufactured in length of 1 – 1,5 m packed in single plastic bags to avoid twisted windings and stored in cardboard boxes.
- Please do not hesitate to contact us for further information !
Phone +49 (0) 521 33873 or send us a fax +49 (0)521 33875 or an E-mail: hetran@aol.com